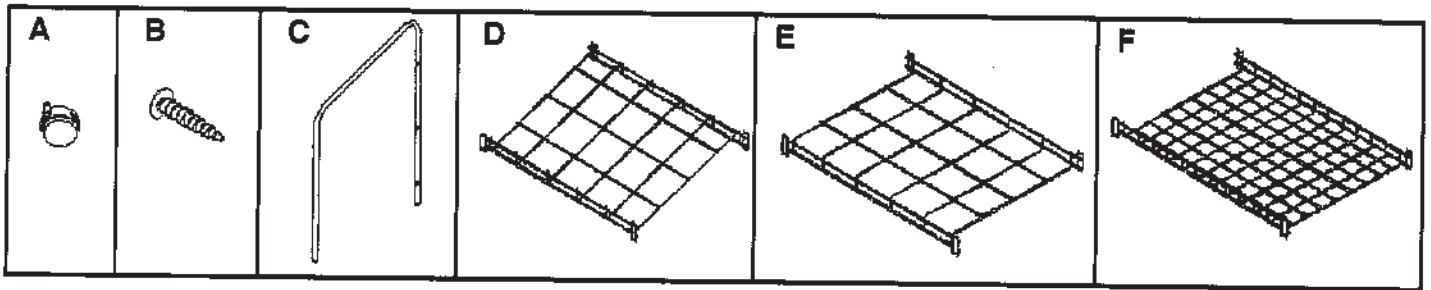
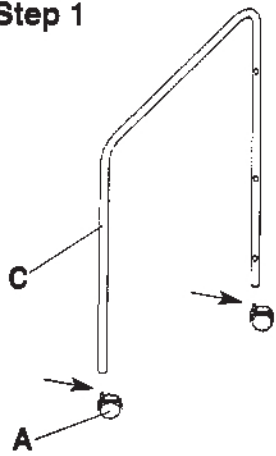


CONTENTS		
Key	Qty.	Description
A	4	Casters
B	12	Screws
C	2	Side braces
D	1	Top grid tray
E	1	Middle grid tray
F	1	Bottom grid tray

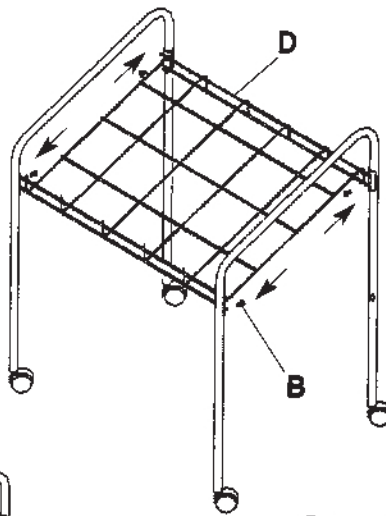
Tools required for assembly: Phillips screwdriver



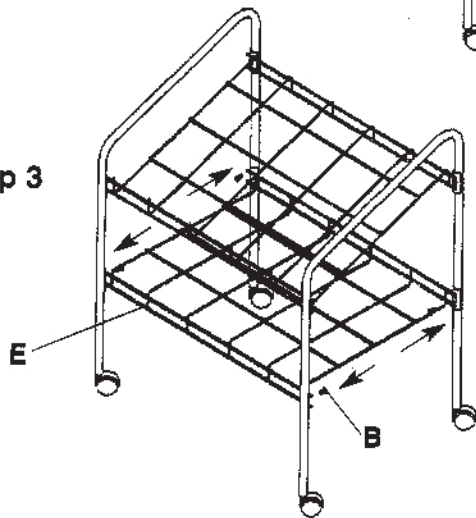
Step 1



Step 2



Step 3



Step 4

