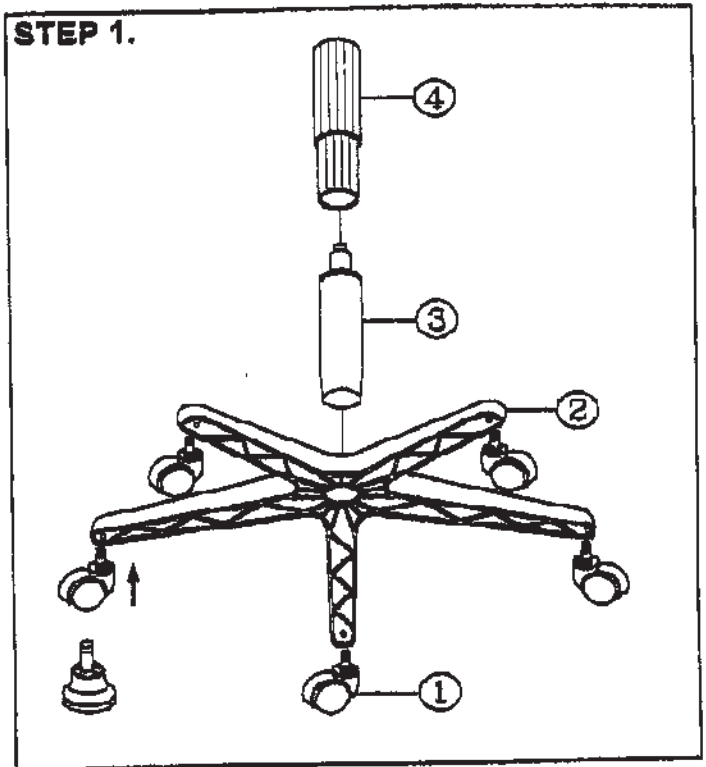


Assembly Instructions for

PARTS LIST

KEY	QTY	DESCRIPTION
1	5	CASTER & GLIDE
2	1	BASE
3	1	SEAT POST
4	1	SEAT POST COVER
5	4	MECHANISM SCREW
6	1	MECHANISM
7	1	SEAT

STEP 1.



STEP 2.

